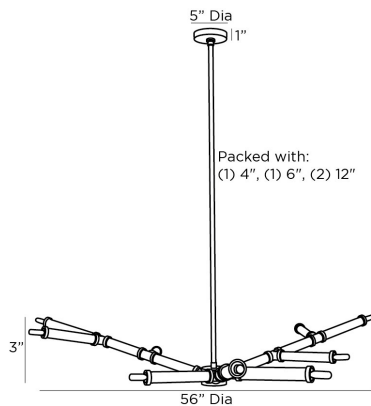


# ARTERIOS

## PADEN CHANDELIER



89498  
H: 7 IN, Dia: 56.00 IN  
Cognac Leather  
Contract Suitable As Is

In a sprawling form reminiscent of tree branches, the Paden is richly crafted with menswear-inspired materials and detailing. Each arm is dressed in visible, stitched cognac leather, and antique brass steel detailing offers luxurious contrast. Finish will vary.

### APPEARANCE

Material	Leather, Steel
Finish	Antique Brass, Cognac
Finish Will Vary	true
Top Coat/Sealant	false

### DIMENSIONS

Chandelier	H: 3 IN, Dia: 56.00 IN
Minimum Hanging Height	7 IN
Maximum Hanging Height	37 IN
Canopy	H: 1 IN, Dia: 5.00 IN

### WIRING

Rating	Damp
Cord	10 FT, Black/White, SVT
Socket	9, Type B - E12
Photographed Bulb	Small Clear Tubular Bulb
Maximum Watt	40
Voltage	110-120 V

### COMPLIANCY

RoHS	true
------	------

### SHIPPING

Product Weight	18.6 LBS
Gross Weight 1	26.6 LBS
Shipping Box 1	H: 9 IN, L: 58 IN, W: 24 IN

### REPLACEMENT PARTS

Replacement Part 1	PIPE-422
Replacement Part 1 Dim	(1) 4", (1) 6", and (1) 12"
Replacement Part 2	CANOPY-615
Replacement Part 2 Dim	1" x 5"

### CONTRACT

Contract Suitable	true
-------------------	------